

Keilwellen und Keilbuchsen Splined shafts and splined bushings

Eigenschaften

Wir führen:

- Keilwellen als Meterware in gängigen Größen aus Stahl meist ab Lager lieferbar, Zuschnitt nach Kundenwunsch bis max. 3000 mm
- Keilwellen in Fixlängen 1000, 1500, 2000, 3000 mm aus Stahl und Edelstahl
- Keilbuchsen als runde Muffe, als Flanschnabe und als Klemmring aus Stahl, Bronze oder Edelstahl.
- Die Materialkombinationen Stahl/Stahl, Stahl/Edelstahl und Edelstahl/Edelstahl neigen zum Fressen! Bei häufiger Bewegung und/oder hoher Beanspruchung empfehlen wir Keilbuchsen aus Bronze

Vorteile

- Keilwellen übertragen größere Drehmomente als Wellen mit Passfeder- oder Feststellschraube
- Auf Buchsen oder an Klemmrings montierte Übertragungselemente wie Zahnräder sind auf der Keilwelle verschiebbar. Dadurch kann die Interaktion mit dem Gegenrad unterbrochen werden
- Keilwellen gewährleisten einfache, formschlüssige Ein- und Auskupplung von Drehbewegungen

Anwendungen

- Ankupplung von Getrieben
- Lösbare Welle-Nabe Verbindung
- Montage von axial justierbaren Zahnradern

Properties

We deliver:

- Splined shafts sold by length, in standard sizes, made of steel, mostly deliverable from stock, cut to length up to max. 3000 mm for customer request.
- Splined shafts in fixed lengths 1000, 1500, 2000, 3000 mm, made of steel and stainless steel.
- Splined bushings as round sleeve, as flange hub, and as clamping ring, made of steel, bronze or stainless steel.
- The material combinations (steel/steel, steel/stainless steel and stainless steel/stainless steel) tend to seize! For frequent movements and/or high loads, we recommend using splined bushings made of bronze

Advantages

- Spline shafts transmit greater torques than shafts with keyways or set screws
- Transmitting components (such as gears) which are mounted to splined bushings or clamping collars can be slid along the splined shaft. The interaction with the counter gear can thus be interrupted
- Splined shafts ensure that there is simple, form-fitting engagement and disengagement for the rotational movements

Applications

- Coupling of gear boxes
- Detachable shaft-hub connections
- Installations of axially adjustable gears

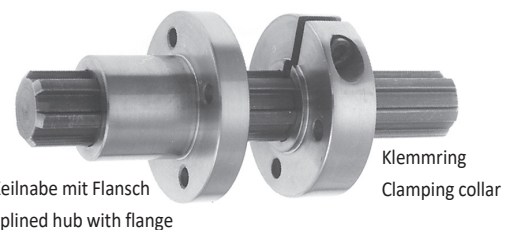
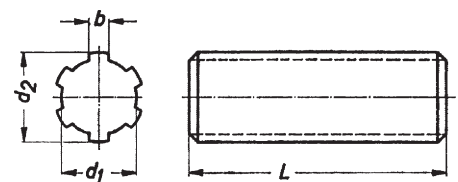


Keilwellen, Meterware, ab Lager Splined shafts, sold by length, available from stock

Material C45, gezogen nach DIN ISO 14-B (DIN 5463)

Material C45, cold drawn acc. to DIN ISO 14-B (DIN 5463)

Bestell-Nr. Part no.	Anzahl Keile No. of splines	innerer \varnothing inner \varnothing	äußerer \varnothing outer \varnothing	Keilbreite Spline width	Gewicht Weight
	[mm]	d_1 [mm]	d_2 [mm]	b [mm]	[kg/m]
KWL11	6	11	14	3	0,949
KWL13	6	13	16	3,5	1,287
KWL16	6	16	20	4	1,911
KWL18	6	18	22	5	2,453
KWL21	6	21	25	5	3,139
KWL23	6	23	28	6	3,964
KWL26	6	26	32	6	5,008
KWL28	6	28	34	7	5,816
KWL32	8	32	38	6	7,433
KWL36	8	36	42	7	9,302
KWL42	8	42	48	8	12,371
KWL46	8	46	54	9	15,300



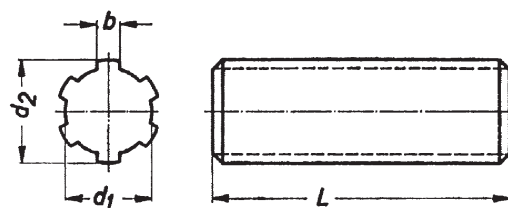
Bestell-Nr. Part no.	KWL	z z
Keilwelle Splined shaft	innerer \varnothing inner \varnothing	

Keilwellen in Fixlängen Splined shafts in fixed length



Material: C45 oder 1.4301, gezogen nach DIN ISO 14-B [DIN5463]

Material: C45 or 1.430, cold drawn acc. to DIN ISO 14-B [DIN5463]



Keilwellen | Splined shafts

Bestell-Nr. Part no. Material C45	Bestell-Nr. Part no. Material 1.4301	Anzahl Keile Number of splines	d ₁ -0,03 -0,08	d ₂ -0,07 -0,27	b ±0 -0,08	Länge Length [mm]	Gewicht Weight [kg]
KW11-1000	KW11-1000SS	6	11	14	3,0	1000	0,949
KW11-1500	KW11-1500SS	6	11	14	3,0	1500	1,420
KW11-2000	KW11-2000SS	6	11	14	3,0	2000	1,900
KW11-3000	KW11-3000SS	6	11	14	3,0	3000	2,850
KW13-1000	KW13-1000SS	6	13	16	3,5	1000	1,287
KW13-1500	KW13-1500SS	6	13	16	3,5	1500	1,930
KW13-2000	KW13-2000SS	6	13	16	3,5	2000	2,570
KW13-3000	KW13-3000SS	6	13	16	3,5	3000	3,860
KW16-1000	KW16-1000SS	6	16	20	4,0	1000	1,911
KW16-1500	KW16-1500SS	6	16	20	4,0	1500	2,870
KW16-2000	KW16-2000SS	6	16	20	4,0	2000	3,820
KW16-3000	KW16-3000SS	6	16	20	4,0	3000	5,730
KW18-1000	KW18-1000SS	6	18	22	5,0	1000	2,453
KW18-1500	KW18-1500SS	6	18	22	5,0	1500	3,680
KW18-2000	KW18-2000SS	6	18	22	5,0	2000	4,910
KW18-3000	KW18-3000SS	6	18	22	5,0	3000	7,360
KW21-1000	KW21-1000SS	6	21	25	5,0	1000	3,139
KW21-1500	KW21-1500SS	6	21	25	5,0	1500	4,710
KW21-2000	KW21-2000SS	6	21	25	5,0	2000	6,280
KW21-3000	KW21-3000SS	6	21	25	5,0	3000	9,420
KW23-1000	KW23-1000SS	6	23	28	6,0	1000	3,964
KW23-1500	KW23-1500SS	6	23	28	6,0	1500	5,950
KW23-2000	KW23-2000SS	6	23	28	6,0	2000	7,930
KW23-3000	KW23-3000SS	6	23	28	6,0	3000	11,890
KW26-1000	KW26-1000SS	6	26	32	6,0	1000	5,008
KW26-1500	KW26-1500SS	6	26	32	6,0	1500	7,510
KW26-2000	KW26-2000SS	6	26	32	6,0	2000	10,020
KW26-3000	KW26-3000SS	6	26	32	6,0	3000	15,020
KW28-1000	KW28-1000SS	6	28	34	7,0	1000	5,816
KW28-1500	KW28-1500SS	6	28	34	7,0	1500	8,720
KW28-2000	KW28-2000SS	6	28	34	7,0	2000	11,630
KW28-3000	KW28-3000SS	6	28	34	7,0	3000	17,450
KW32-1000	KW32-1000SS	8	32	38	6,0	1000	7,433
KW32-1500	KW32-1500SS	8	32	38	6,0	1500	11,150
KW32-2000	KW32-2000SS	8	32	38	6,0	2000	14,870
KW32-3000	KW32-3000SS	8	32	38	6,0	3000	22,300
KW36-1000	KW36-1000SS	8	36	42	7,0	1000	9,302
KW36-1500	KW36-1500SS	8	36	42	7,0	1500	13,950
KW36-2000	KW36-2000SS	8	36	42	7,0	2000	18,600
KW36-3000	KW36-3000SS	8	36	42	7,0	3000	27,910
KW42-1000	KW42-1000SS	8	42	48	8,0	1000	12,371
KW42-1500	KW42-1500SS	8	42	48	8,0	1500	18,560
KW42-2000	KW42-2000SS	8	42	48	8,0	2000	24,740
KW42-3000	KW42-3000SS	8	42	48	8,0	3000	37,110
KW46-1000	KW46-1000SS	8	46	54	9,0	1000	15,300
KW46-2000	KW46-2000SS	8	46	54	9,0	2000	30,600
KW46-3000	KW46-3000SS	8	46	54	9,0	3000	45,900

Bestell-Nr. Part no.	KW	zz	-zzzz	_/SS
	Keilwelle Splined shaft	innerer Ø inner Ø	Länge Length	_ = Stahl Steel / SS = Edelstahl Stainless steel

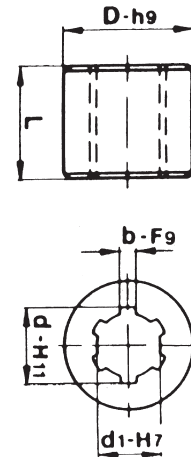
Keilmuffen, Keilnaben mit Flansch und Klemmringe Splined sleeves, splined hubs with flange and clamping collars



nach DIN ISO 14-A [DIN 5463], Material Stahl C45, Bronze RG7, Edelstahl 1.4305
acc. to DIN ISO 14-A [DIN 5463], Material C45 steel, RG7 bronze, stainless steel 1.4305

Keilmuffen | Splined sleeves

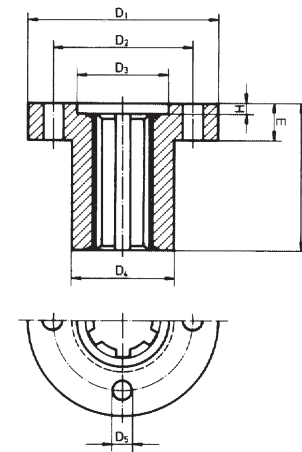
Bestell-Nr. Part no. Material C45	Bestell-Nr. Part no. Material RG7	Bestell-Nr. Part no. Material 1.4305	D D h9	L	dH11	d1H7	Anzahl Keile No. splines	bF9	Gewicht Weight Stahl Steel	Gewicht Weight RG7
			[mm]	[mm]	[mm]	[mm]		[mm]	[kg]	[kg]
KM11	KM11R	KM11SS	20	40	14	11	6	3	0,06	0,08
KM13	KM13R	KM13SS	28	45	16	13	6	3,5	0,16	0,18
KM16	KM16R	KM16SS	32	45	20	16	6	4	0,20	0,22
KM18	KM18R	KM18SS	40	50	22	18	6	5	0,27	0,30
KM21	KM21R	KM21SS	40	55	25	21	6	5	0,36	0,42
KM23	KM23R	KM23SS	50	55	28	23	6	6	0,47	0,54
KM26	KM26R	KM26SS	52	60	32	26	6	6	0,70	0,78
KM28	KM28R	KM28SS	60	60	34	28	6	7	0,76	0,87
KM32	KM32R	KM32SS	60	60	38	32	8	6	0,88	1,00
KM36	KM36R	KM36SS	70	65	42	36	8	7	1,08	1,23
KM42	KM42R	KM42SS	65	70	48	42	8	8	0,94	1,10
KM42L	KM42LR	KM42LSS	80	70	48	42	8	8	1,88	2,16
KM46	KM46R	KM46SS	80	90	54	46	8	9	2,25	2,49



Bestell-Nr. Part no.	KM	z z	_ / SS / R
Keilmuffe Splined sleeve		innerer \emptyset inner \emptyset	_ = Stahl Steel / SS = Edelstahl Stainless steel / R = Bronze

Keilnaben mit Flansch | Splined hubs with flange

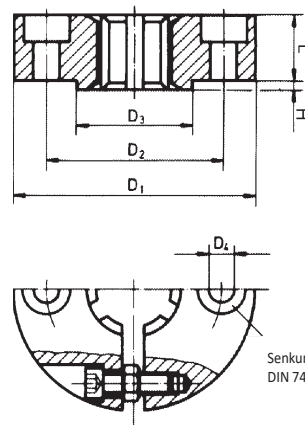
Bestell-Nr. Part no. Material C45	Bestell-Nr. Part no. Material RG7	Bestell-Nr. Part no. Material 1.4305	D ₁	D ₂	D ₃ H7	D ₄ H8	D ₅	E	L	H	Gewicht Weight Stahl Steel	Gewicht Weight RG7
			[mm]	[mm]	[mm]	[mm]	[mm]	[mm]	[mm]	[mm]	[kg]	[kg]
KN11	KN11R	KN11SS	42	28	20	20	4,5	8	35	3,0	0,10	0,12
KN13	KN13R	KN13SS	50	36	22	25	4,5	8	40	3,0	0,18	0,22
KN16	KN16R	KN16SS	52	38	25	28	5,5	10	40	3,0	0,22	0,26
KN18	KN18R	KN18SS	54	40	30	30	5,5	10	45	3,5	0,26	0,30
KN21	KN21R	KN21SS	62	48	35	34	6,6	10	50	3,5	0,34	0,38
KN23	KN23R	KN23SS	64	50	36	36	6,6	10	55	3,5	0,41	0,47
KN26	KN26R	KN26SS	70	56	40	42	6,6	10	60	3,5	0,50	0,58
KN28	KN28R	KN28SS	78	60	46	45	9,0	12	60	3,5	0,64	0,74
KN32	KN32R	KN32SS	82	65	50	50	9,0	12	60	3,5	0,72	0,84
KN36	KN36R	KN36SS	90	70	52	52	9,0	16	80	4,0	0,94	1,07
KN42	KN42R	KN42SS	95	75	60	60	11,0	16	80	4,0	1,22	1,38
KN46	KN46R	KN46SS	100	80	65	65	11,0	16	100	4,0	1,50	1,70



Bestell-Nr. Part no.	KN	z z	_ / SS / R
Keilnabe Splined hub		innerer \emptyset inner \emptyset	_ = Stahl Steel / SS = Edelstahl Stainless steel / R = Bronze

Klemmringe | Clamping collars

Bestell-Nr. Part no. Material C45	Bestell-Nr. Part no. Material RG7	Bestell-Nr. Part no. Material 1.4305	D ₁	D ₂	D ₃ H7	D ₄ H8	Gewinde Thread	L	H	Gewicht Weight Stahl Steel	Gewicht Weight RG7
			[mm]	[mm]	[mm]	[mm]		[mm]	[mm]	[kg]	[kg]
KR11	KR11R	KR11SS	42	28	20	4,5	M4	12	2	0,10	0,12
KR13	KR13R	KR13SS	50	36	22	4,5	M4	12	2	0,16	0,18
KR16	KR16R	KR16SS	52	38	25	5,5	M5	14	2	0,18	0,20
KR18	KR18R	KR18SS	54	40	30	5,5	M5	14	3	0,20	0,23
KR21	KR21R	KR21SS	62	48	35	6,6	M6	14	3	0,24	0,28
KR23	KR23R	KR23SS	64	50	36	6,6	M6	15	3	0,26	0,30
KR26	KR26R	KR26SS	70	56	40	6,6	M8	15	3	0,34	0,40
KR28	KR28R	KR28SS	78	60	46	9,0	M8	18	3	0,47	0,54
KR32	KR32R	KR32SS	82	65	50	9,0	M8	18	3	0,52	0,62
KR36	KR36R	KR36SS	90	70	52	9,0	M8	18	3	0,62	0,72
KR42	KR42R	KR42SS	95	75	60	11,0	M8	22	3	0,82	0,94
KR46	KR46R	KR46SS	100	80	65	11,0	M8	24	3	0,96	1,08



Senkung | Counter bore
DIN 74-Km ...

Bestell-Nr. Part no.	KR	z z	_ / SS / R
Klemmring Clamping collar		innerer \emptyset inner \emptyset	_ = Stahl Steel / SS = Edelstahl Stainless steel / R = Bronze